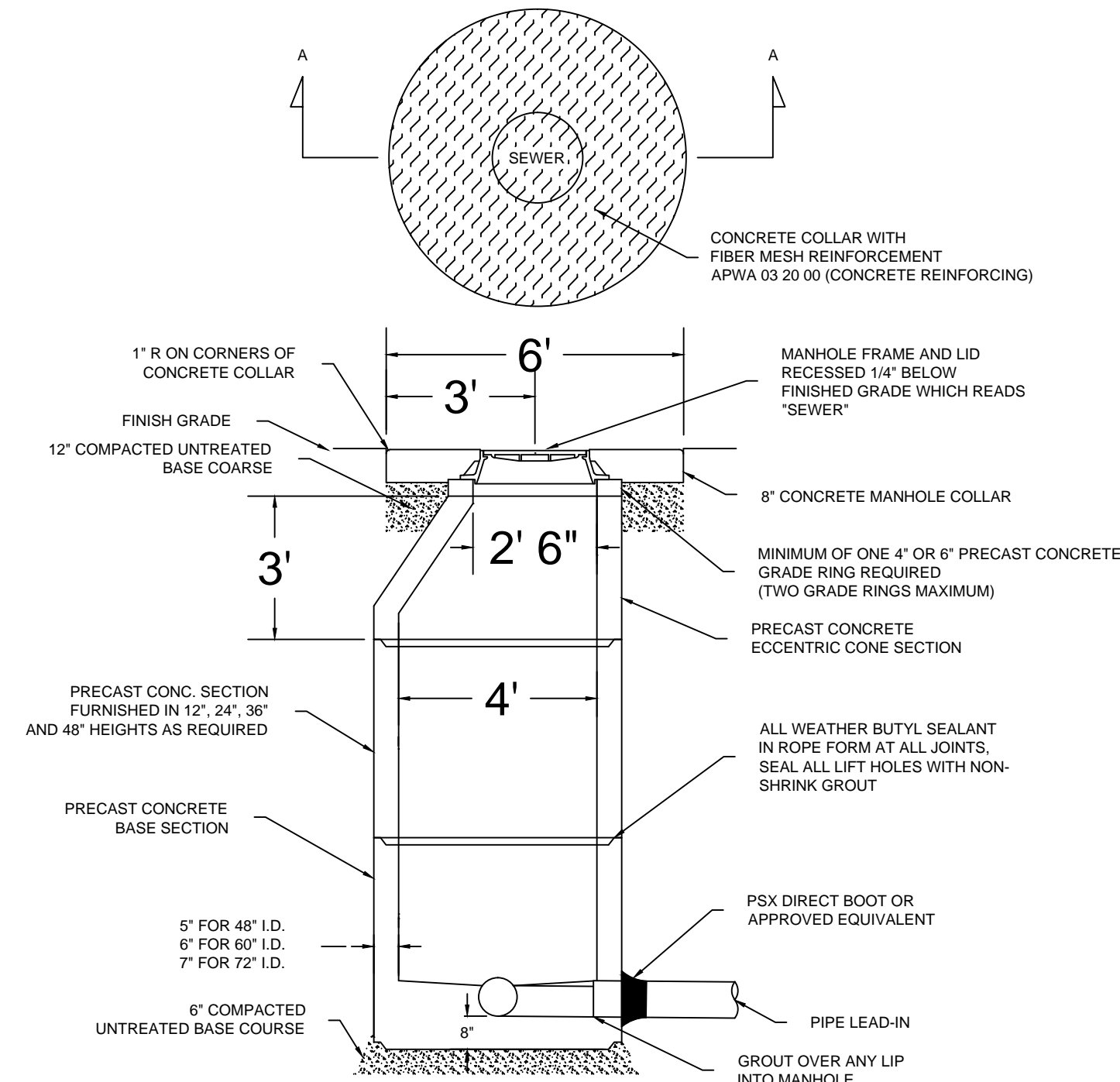


SEWER MANHOLE

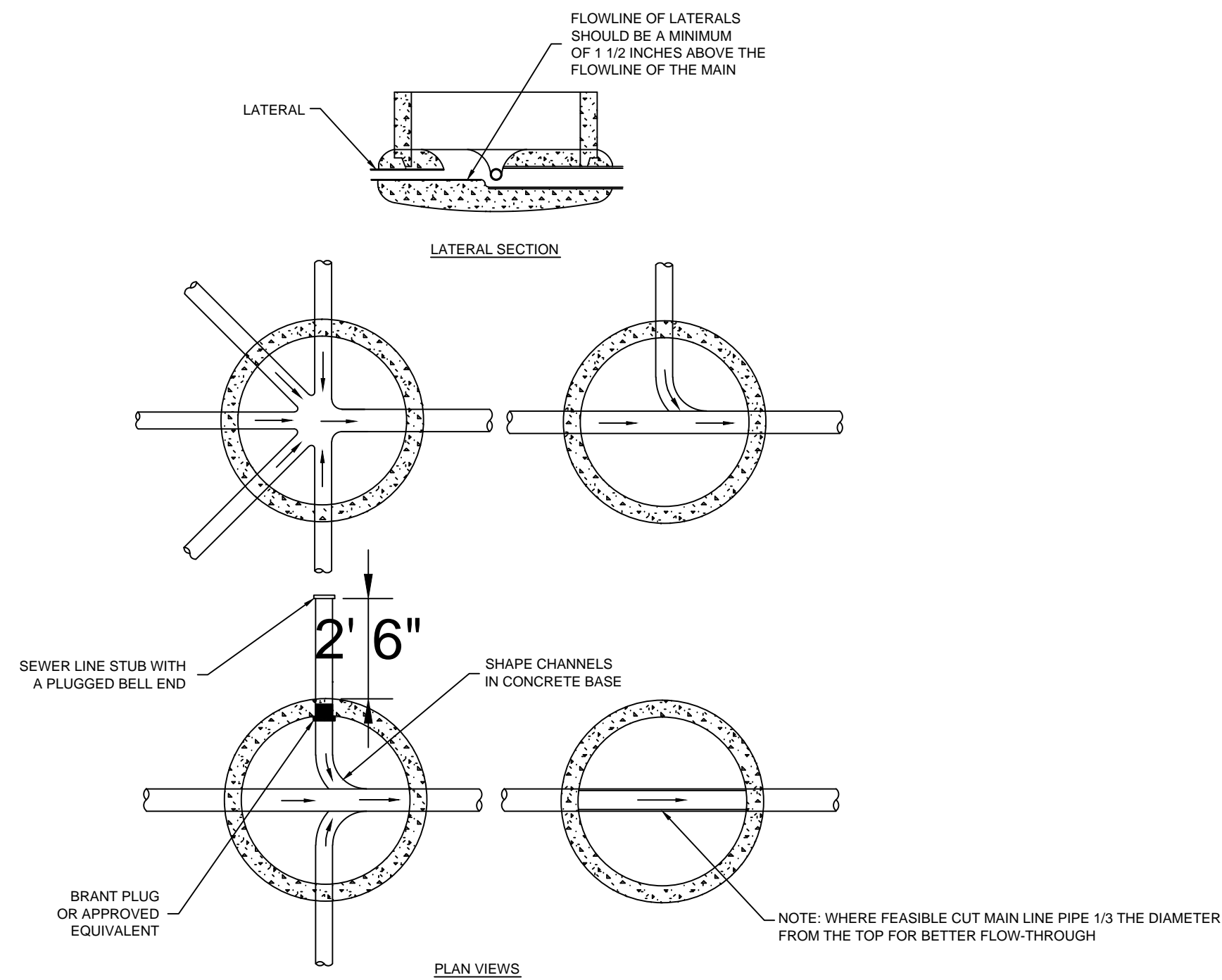
NOT TO SCALE



- NOTES:
1. FLAT LIDS MAY BE USED IN LIEU OF ECCENTRIC CONES WHERE NECESSARY. FLAT LIDS SHALL BE OF ECCENTRIC DESIGN AND MEET H20 LIVE LOADING. NO FLAT RING AND COVERS WILL BE ALLOWED UNLESS APPROVED BY CAPITAN PUBLIC WORKS.
 2. MANHOLE RIMS OUT OF STREETS SHALL BE PLACED 4 INCHES ABOVE GRADE.
 3. CONCRETE COLLAR AND RIM SHALL BE INSTALLED 1/4" BELOW PAVEMENT SURFACE AFTER THE 1 YEAR PRESERVATION COAT.
 4. MANHOLE COLLARS AND RINGS SHALL BE PROTECTED BY A COVERING DURING A SEAL COAT.
 5. CONCRETE COLLAR SHALL BE PLACED AFTER THE 1 YEAR PRESERVATION COAT WHEN APPLICABLE.

SEWER MANHOLE FLOWS

NOT TO SCALE



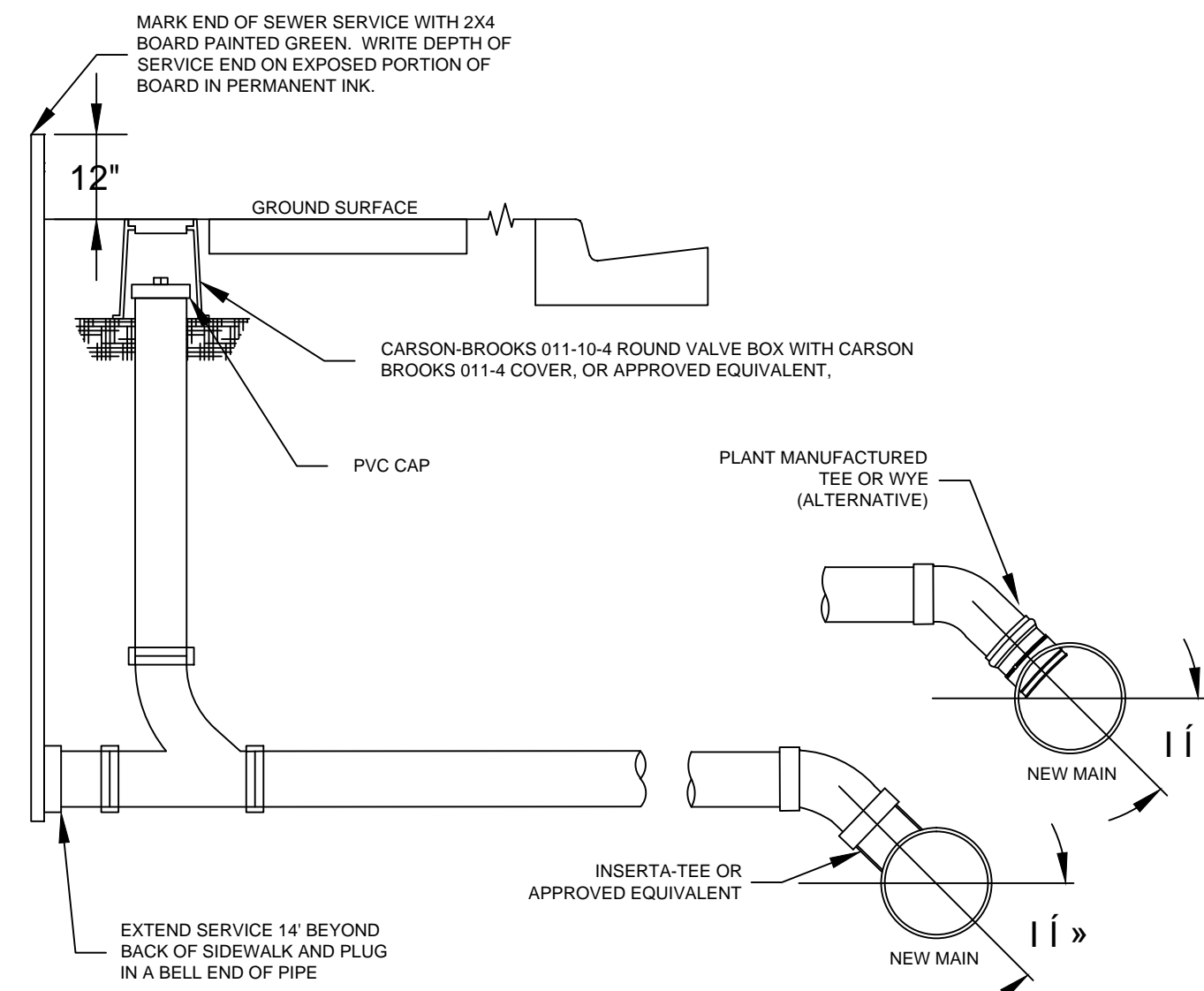
- NOTES:
1. THERE SHALL BE 1/10 FOOT FALL THROUGH ALL MANHOLES.
 2. MANHOLES INSTALLED OVER EXISTING SEWERS SHALL BE CAST IN PLACE OVER A SECTION OF EXISTING PIPE WITH THE TOP OF PIPE CUT OFF.

UTILITY DETAILS

SEWER

SEWER SERVICE

NOT TO SCALE

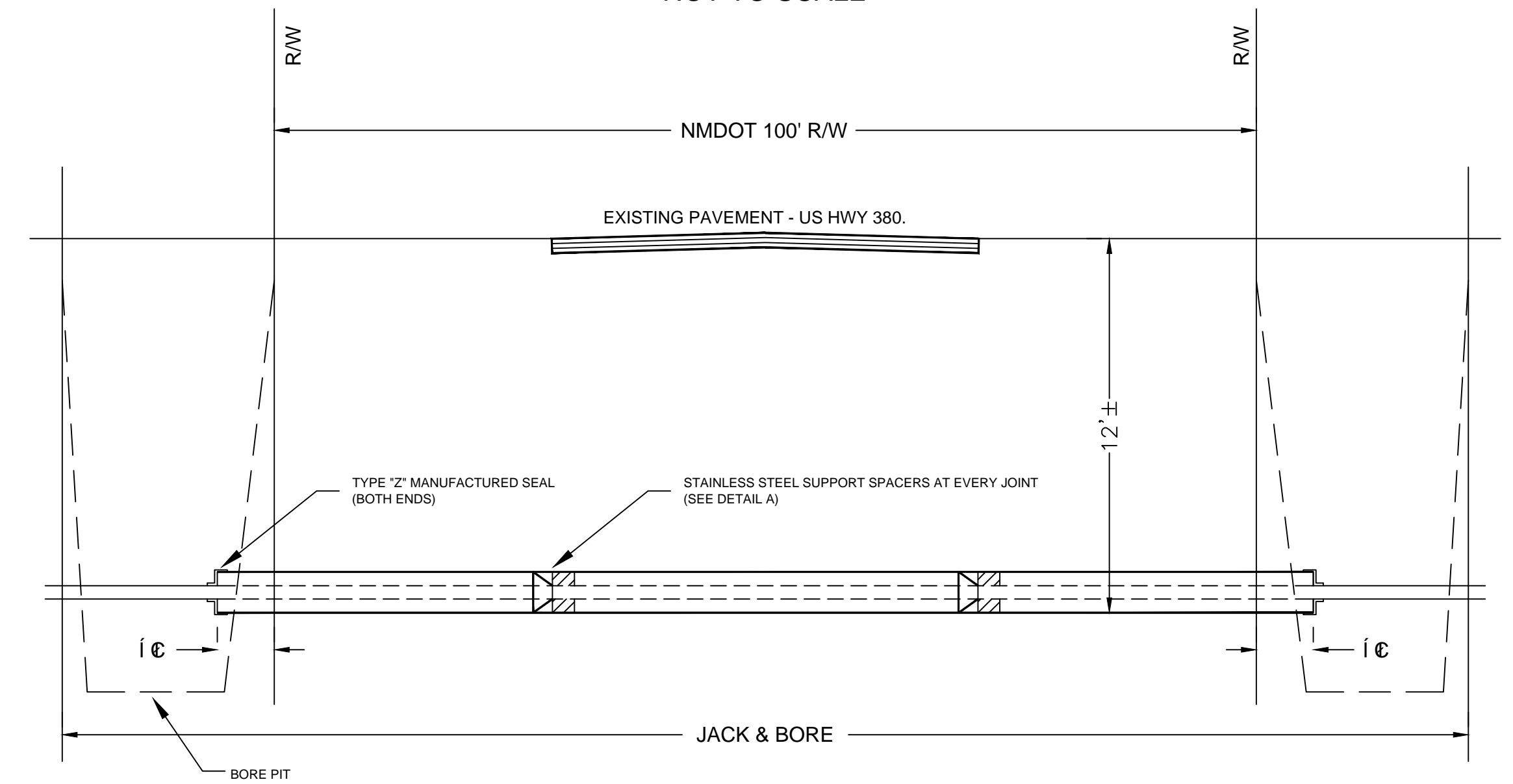


GENERAL NOTES

- 1) ALL SEWER MAIN PIPE SHALL BE GASKETED PVC SDR35.
- 2) CONTRACTOR SHALL NOT CONNECT TO THE EXISTING SYSTEM UNTIL ALL TESTING IS COMPLETE AND SHALL OBTAIN WRITTEN PERMISSION FROM THE ENGINEER TO PROCEED WITH CONNECTION TO THE EXISTING SYSTEM.
- 3) THE CONTRACTOR SHALL VERIFY UTILITY LOCATIONS AND ELEVATIONS TO AVOID POTENTIAL CONFLICTS.
- 4) THE CONTRACTOR SHALL COORDINATE WITH ALL UTILITY COMPANIES AND OWNER WITH REGARD TO RELOCATING, ADJUSTING, REPLACING AND/OR REPAIRING UTILITIES DURING CONSTRUCTION.
- 5) THE CONTRACTOR SHALL POT HOLE AND HAND DIG IN ALL AREAS WHERE THE NEW SEWERLINE IS SHOWN IN CLOSE PROXIMITY (MIN. 2 FT) TO ALL UTILITIES. EXTRA PRECAUTION SHALL BE TAKEN AT THESE LOCATIONS.

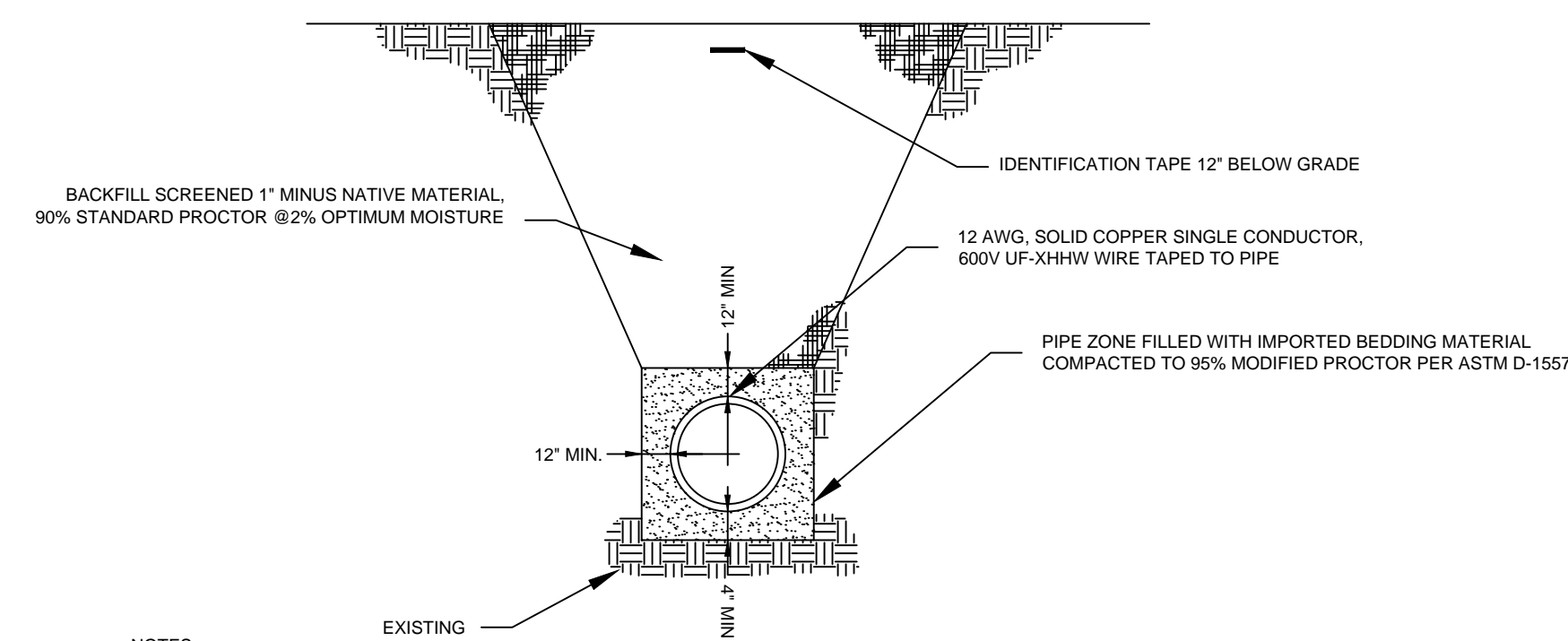
SEWERLINE CASING DETAIL

NOT TO SCALE



TRENCH LIMITS FOR PIPE INSTALLATION, BEDDING & BACKFILL LIMITS

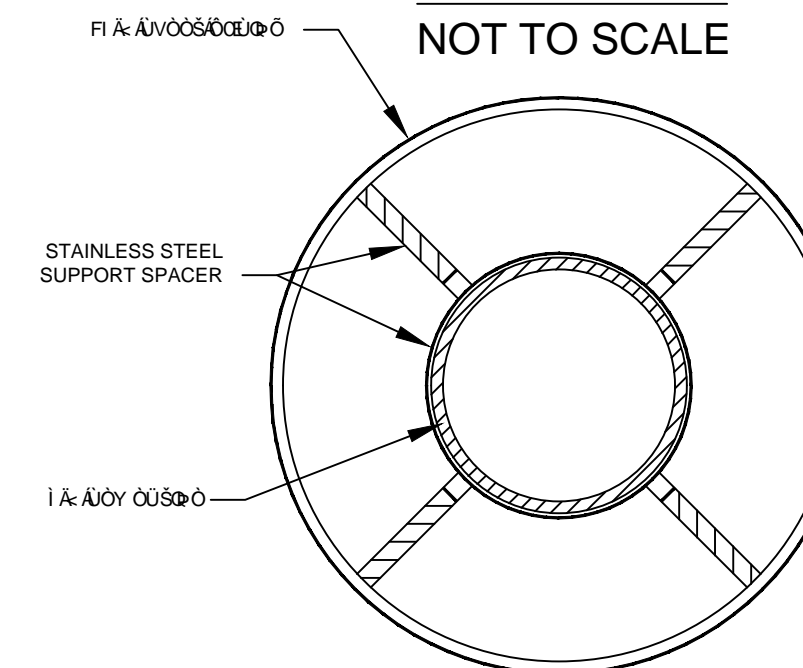
NOT TO SCALE



- NOTES:
1. MINIMUM COVER IS 12" TO BOTTOM OF BASECOURSE UNDER PAVEMENT OR 16" TO TOP OF NATURAL GROUND.
 2. MAXIMUM LOOSE LIFT BACKFILL IS 8"
 3. TRENCH TO BE BRACED OR SHEETED AS NECESSARY FOR THE SAFETY OF WORKERS AND PROTECTION OF OTHER UTILITIES.

DETAIL A

NOT TO SCALE



NOTE: STAINLESS STEEL SUPPORT SPACERS IN ACCORDANCE WITH MANUFACTURER'S INSTALLATION REQUIREMENTS FOR NUMBER AND LOCATION